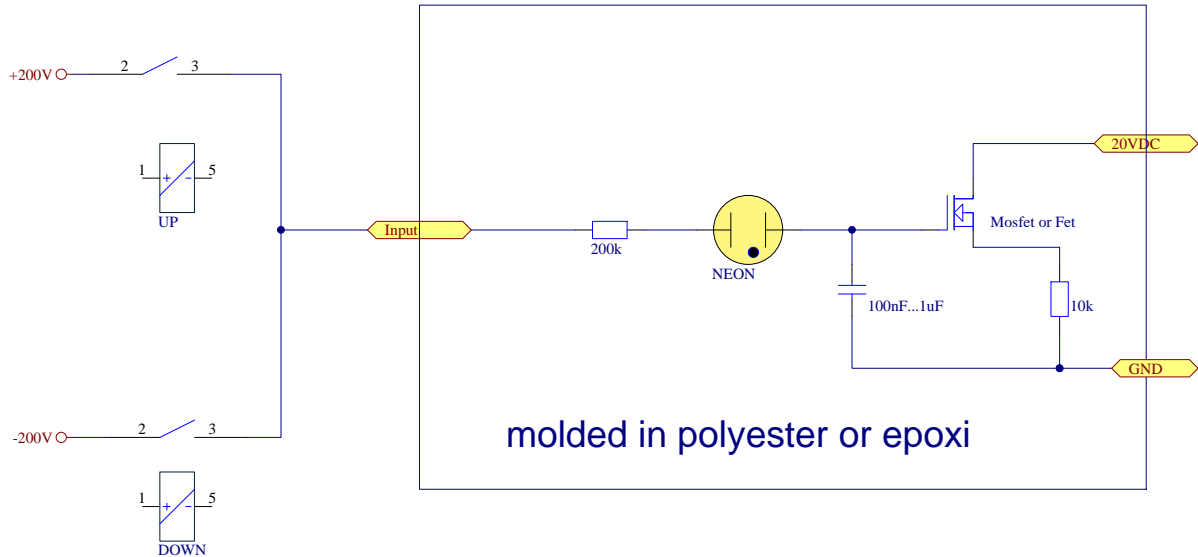


Dec.22.2011 Georg Beckmann



Grundig Color TV. Storing analog values for brightness, volume a.s.o. About 1970...1974
The circuit inside the dashed line is molded in a high isolation plastic. The charge of the capacitor was holded for a week or two.
The relais where controlled with a ultrasonic remote.